

SUPRA-I Bellow Sealed Globe Valves feature the new generation of Bellow Sealed Globe Valves achieved thanks to many years of continuous research and unrivaled market position. These valves are devised for severe industrial applications where performance and trouble free operation is a must. SUPRA-I combine the well known features of FABA with new range of performance as standard. One or two piece stem is provided, covering all construction styles and materials in cast steel as minimum material. More than 10.000 cycles are guaranteed for a valve that may even combine check, stop and throttling functions into one (optionally).

Ergonomic design of hand wheel; lighter and more resistant bonnet,

One or two piece stem; this former one allows the actuator retro t.

Separated lubricating nipple, at without protruding shape that might damage the operator.

Reinforced Bellows; welded to the upper body. Double walled.

Shielded Bellows; more resistance to water hammers and thermal shocks.

Welded seat;

"Cut Off effect", thanks to the conical shape of the marginal seat, remove particle deposits when closing the valve.



Double Function; it may be used as check, stop or throttling valve simultaneously, thanks to the spring and loose plug (option to be stated).



Rugged stem / plug guide; it allows more differential pressure.

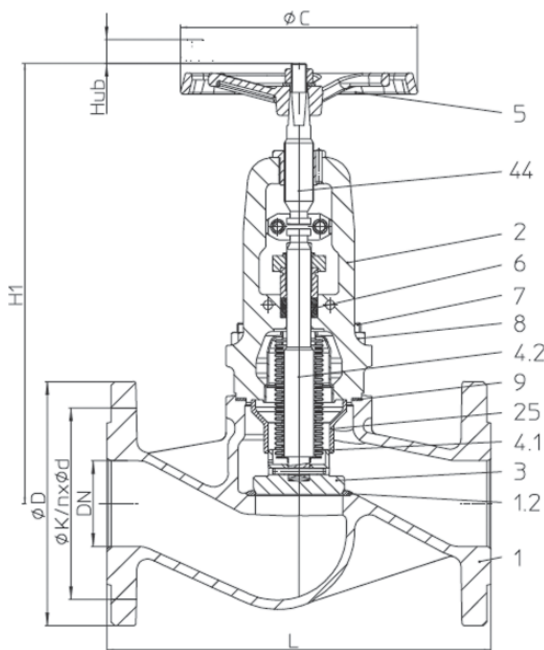
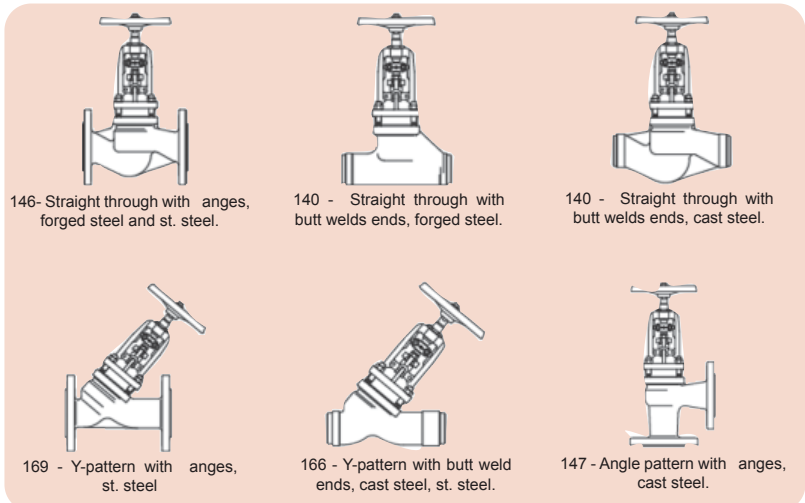


High performance Bellow sealed globe valves* Uni directional Design (Observe the arrow of flow when installing)* Standard metallic sealing (Leakage Rate: n° 1 DIN 3230) – leakage 0 with PTFE seat* Marginal Seat Geometry* Design Pressure: PN 25 / PN 40 – Design Temperature: -60°C / 450°C (Observe P/T relationship – EN 1092/1)* Size Range: DN 15-400* Face to face length EN 558-S1 or ANSI B.16.10* end connections: Flanges DIN / EN 1092-1/2 PN 25 / PN 40 – ANSI B.16.5 300#; welding BW EN 12227* can be installed in any position*Tests as per DIN 3230 p3 * Approvals TA-Lüft 973-10183778 * PED 97/23/CE*

Main Parts and Materials

Pos	Descripción	Eje Simple	Eje 2 piezas
1	Body	1.0619+N / 1.0460 / 1.4408	
1.2	Seat Ring	1.4551	
2	Bonnet	1.0619+N / 1.4408	
3	Plug	1.4021+QT / Stellite 6	
4.1	Bellows seal	1.4571	
4.2	Stem	X20Cr13+QT, 1.4021+QT	
5	Handwheel	≤ DN 125: St (cataphoretic coating) / >DN150: EN-GJS-400-15, EN JS1030 (epoxy-coating)	EN-GJS-400-15, EN JS1030 (epoxy-coating)
6	Packing ring	Pure graphite	
7	Stud	1.7218	
8	Hexagon nut	1.1181	
9	Gasket	Pure graphite (with CrNi)	
25	Guide bush	≤ DN 32: 1.4571 / >DN 40: 1.4408	
44	Stem, top	---	X39CrMo17-1+QT, 1.4122+QT

Model Range



Main Valve Dimensions (mm)

Consult data sheets for each individual model or ask for an individual drawing to our technical department.

Options

More than 26 plug variations easily replaceable. (ask for details).

Main Duties

Steam, Gases, Hot Water, Thermal Fluid, Ammonia; processes. Industrial plants, thermal power plants, gas effluents, vacuum and aggressive processes